



305256 D Angular contact ball bearings, double row

- Popular item

Angular contact ball bearings, double row

Bearing data

[Tolerances](#),

Normal, P6, P5,

[Internal clearance](#),

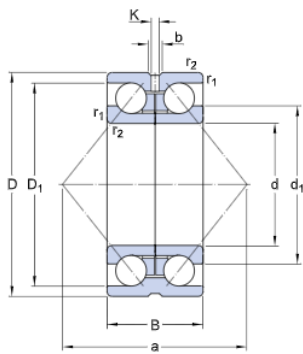
table, drawing no

Bearing interfaces

[Seat tolerances for standard conditions](#),

[Tolerances and resultant fit](#)

Technical specification

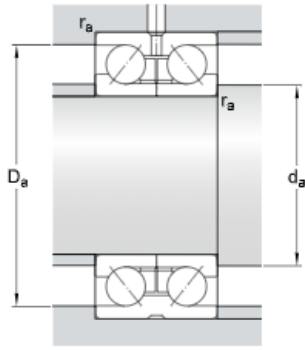


DIMENSIONS

d	120 mm	Bore diameter
D	190 mm	Outside diameter
B	66 mm	Width
d ₁	≈ 145.1 mm	Shoulder diameter inner ring for two-piece inner ring
D ₁	≈ 172.1 mm	Shoulder diameter outer ring
b	8.3 mm	Width annular lubrication groove at outer ring
K	4.5 mm	Diameter lubrication hole (outer ring)
r _{1,2}	min. 2 mm	Chamfer dimension inner ring for two-piece inner ring
a	130 mm	Distance pressure point(s)

ABUTMENT DIMENSIONS

d _a	min. 125 mm	Abutment diameter shaft
D _i	max. 170 mm	Abutment diameter housing
r _a	max. 2 mm	Fillet radius



CALCULATION DATA

C	182 kN	Basic dynamic load rating
C ₀	232 kN	Basic static load rating
P _u	8 kN	Fatigue load limit
	3 400 r/min	Reference speed
	3 600 r/min	Limiting speed
k _r	0.095	Calculation factor
e	0.86	Calculation factor
X	0.62	Calculation factor
Y ₀	0.63	Calculation factor
Y ₁	0.73	Calculation factor
Y ₂	1.17	Calculation factor

MASS

	7.08 kg	Mass bearing
--	---------	--------------